

LIVING DISTRICT

Collection:Axel

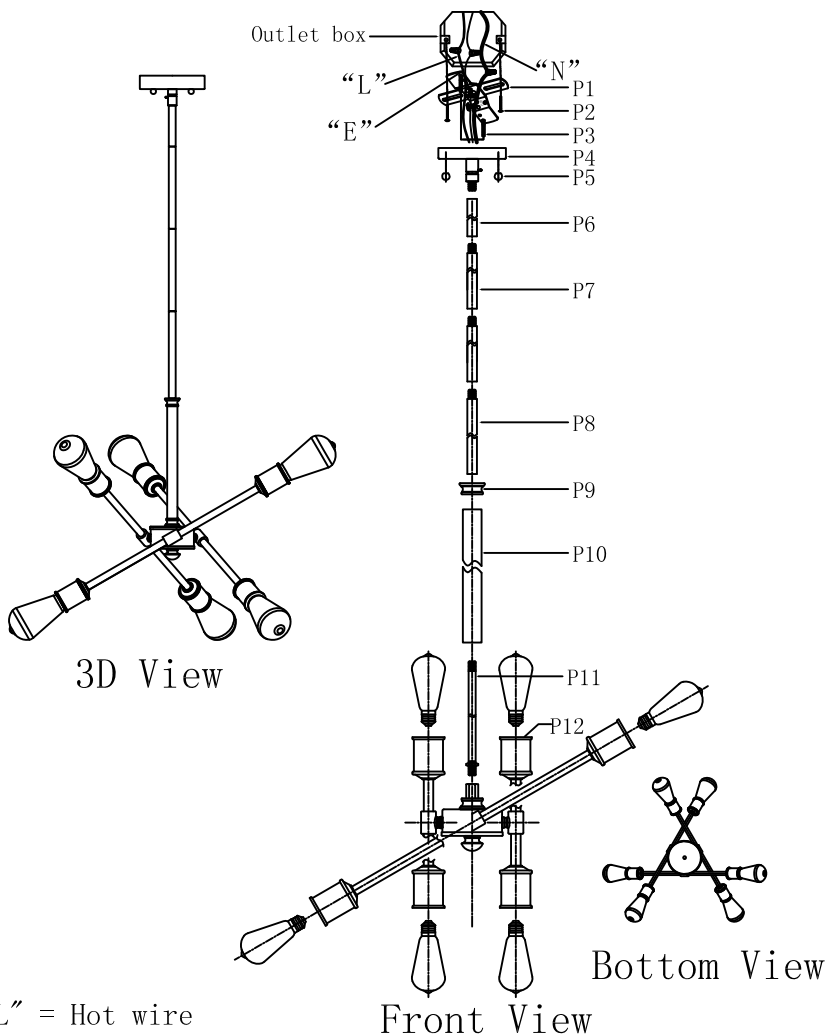
Installation manual for:

LD8015D18BK D17" H19.6" L6

Installation instructions:

1. Check all of the package contents before installation.
2. Screw the nipple(P11) onto the hex joint of the fixture. Place stem (P10) onto the nipple(P11) and screw with the cap (P9)
3. Install the pipes(P8-P7-P6) in order onto the fixture.
4. Screw the end of the canopy(P4) onto the tube (P6).
5. Install the mounting bracket (P1) to the outlet box using the screws (P2).
6. Connect the wire with L marking from the fixture to the BLACK wire from the outlet box.
7. Connect the wire with N marking from the fixture to the WHITE wire from the outlet box.
8. Loop the grounding wire(E wire) from the fixture under the head of the green ground screw on the mounting bracket(P1) and connect it to the grounding conductor from the supply circuit.
9. Adjust the angle of the fixture arms. Align the holes in the fixture with the mounting screws (P3) and secure it by screwing the ball nuts (P5).
10. Install the light bulbs (not included) into the sockets(P12).
11. Connect the power.

PARTS LIST



part	picture	Description	Qty	Check list
P1		mounting bracket	1	
P2		8/32" Screw	2	
P3		8/32" Screw	2	
P4		Canopy	1	
P5		Ball Nut	2	
P6		∅12.7 pipe L6"	1	
P7		∅12.7 pipe L12"	2	
P8		∅12.7 pipe L16"	1	
P9		cap	1	
P10		∅25 STEM	1	
P11		∅9.5 Nipple	1	
P12		E26 Socket	6	